



# LOOKING GLASS FACTORY

## Looking Glass 8K Stand Assembly

### Hardware and tools provided

- M8x26mm socket head cap screw (SHCS) (4)
- M6x12 low profile socket head cap screw (4 +1 spare)
- M5x12mm pan head screw (2)
- M8x70mm shoulder bolt (4)
- M8 lock nut (4)
- Split washer (4)
- M6 washers (4 +1 spare)
- M4 hex key
- M6 hex key

### Tools required

- Phillips screwdriver
- 1/2" / 13mm open head wrench

### Instructions

#### 1. Release the column from the base

- By hand, pull the double column out of its shipping position in the base.

#### 2. Install the casters

- Turn the base over bottom side up.
- Lock the casters.
- By hand install the four (4) casters with four (4) split washers, by threading each into receptacles on the base.

#### 3. Install the double column

- Turn the base over and place with casters on the ground.
- By hand insert the double column into the base.

**Note:** The vertical set of holes on the column should face the back (narrow end) of the base.

**Note:** The small cross piece at the bottom of the column must sit flush onto the base.

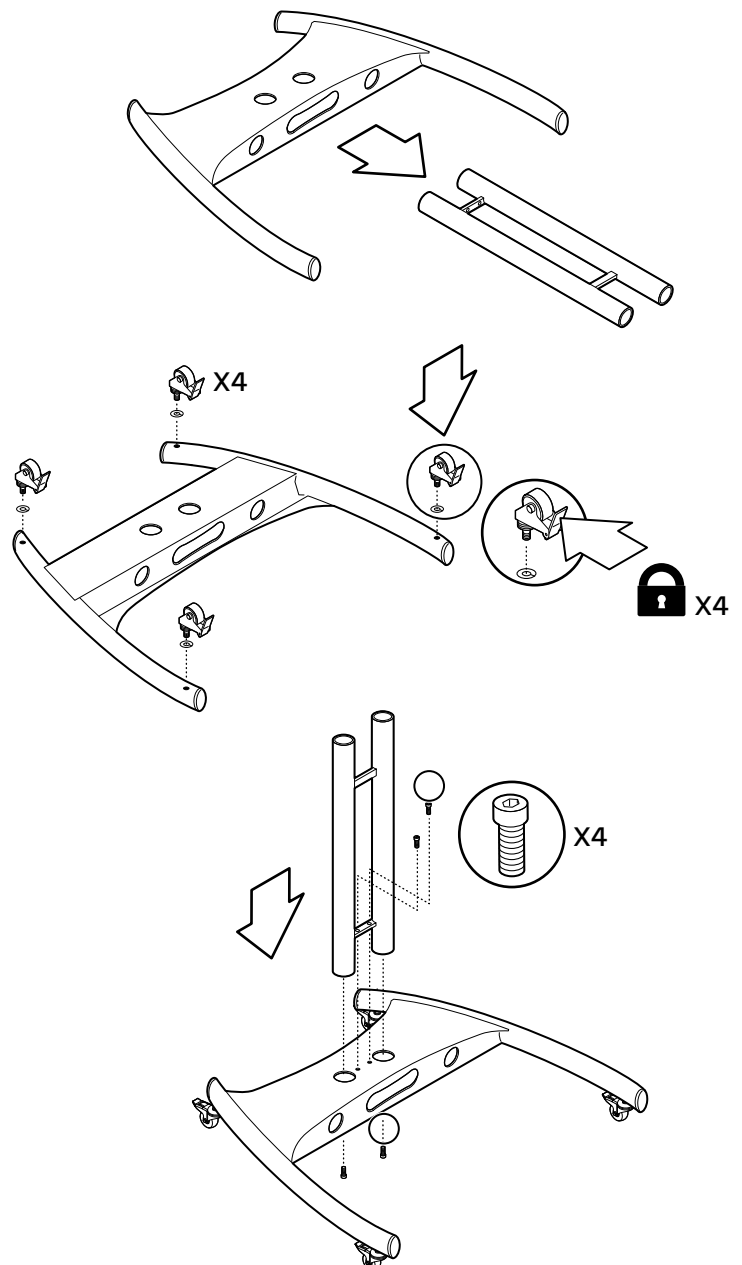
- Using the M6 hex key and the four (4) M8x26mm SHCS screws, secure the column to the base plate.

### SAFETY

**WARNING! Severe personal injury and property damage can result from improper installation and assembly.**

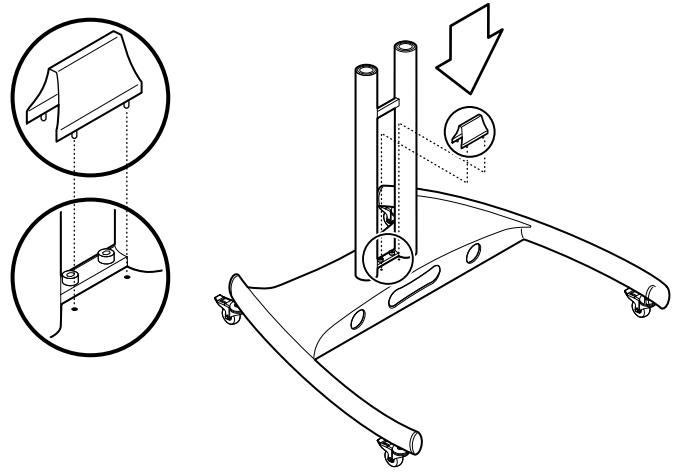
**Read the following carefully before proceeding.**

- If you do not understand the instructions or have any concerns or questions, please contact Looking Glass Factory.
- **DO NOT** install or assemble if the product or hardware is damaged or missing. If you require replacement parts please contact Looking Glass Factory.
- This product is **ONLY** intended for a Looking Glass 8K display - 51.8 lb /23.5kg
- **DO NOT** use this product for anything other than the original design.
- Using this product with anything heavier than a Looking Glass 8K display may result in instability causing possible injury.
- **DO NOT** allow children to climb on or push the stand.
- This product contains moving parts, please use with caution.
- **ALWAYS** use two (2) people when installing the Looking Glass 8K display onto the stand.
- **ALWAYS** use two (2) people when adjusting the height of the stand.
- **ALWAYS** use two (2) people when moving the stand.
- Looking Glass Factory disclaims any liability for the modifications, improper installation, or installation other than the Looking Glass 8K display.



#### 4. Install the screw cover

- By hand, insert the screw cover at the bottom of the column.



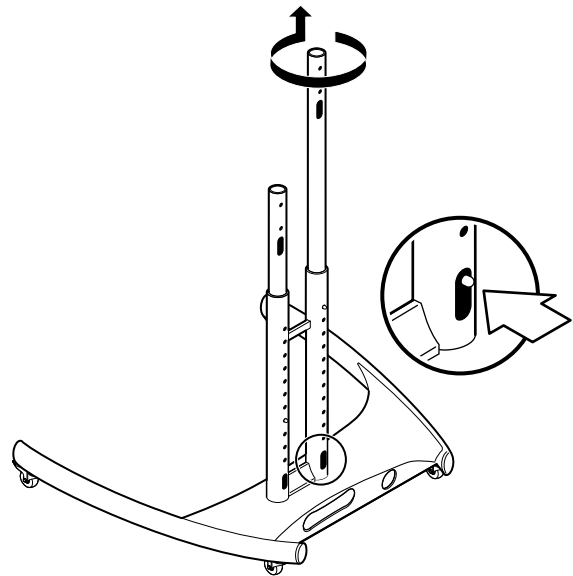
#### 5. Set the column height

**Note:** The top locking hole puts the LG8K center line at 59" / 150cm appx above the floor. Every hole below reduces the centerline height by 2" / 5cm.

- By hand, press the spring-loaded pin at the bottom of the column and twist the upper portion of the column.

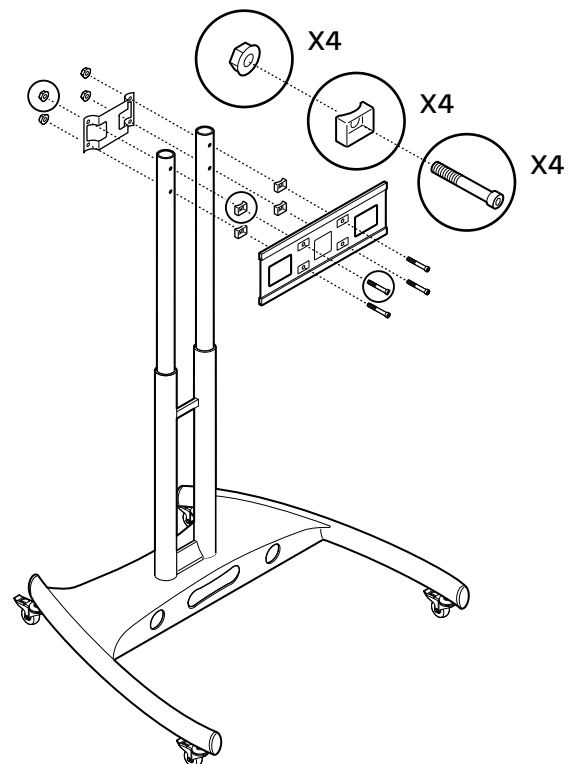
**Note:** Twisting the column avoids the pin snapping into locking holes above as you are raising it.

- Raise to the desired height.
- Twist the upper portion of the column to engage the spring-loaded pin into the locking hole.
- Repeat for the other column.



#### 6. Install the display bracket

- Place the four (4) M8x70mm shoulder bolts through the bracket.
- Place the four (4) articulated seats onto the bolts.
- Place the four (4) bolts through the columns.
- Place the articulated back panel onto the bolts.
- Using a 1/2"/13mm open head wrench, M6 hex key, and the four (4) M8 lock nuts, secure the bracket in place.



7. Install the hanger brackets onto the back of the Looking Glass 8K display

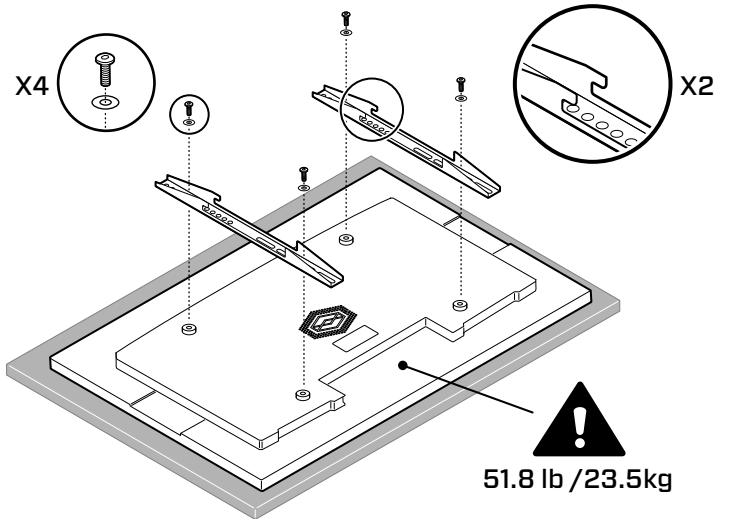
- Place the provided foam sheet on a work surface.
- Place the display face down on the foam.

**WARNING!** The display is heavy 51.8 lb / 23.5kg and requires two (2) people to lift.

- Place the hanger bracket onto the back of the display.

**Note:** Use the correct orientation of the display and hanger bracket as shown - bracket hook oriented towards the top of the display.

- Using a M4 hex key and the two (2) M6x12 SHCS screw / M6x17 washer sets, secure the bracket to the display.
- Repeat for other bracket.

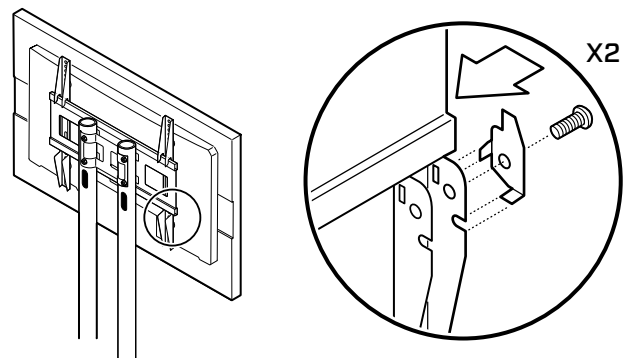
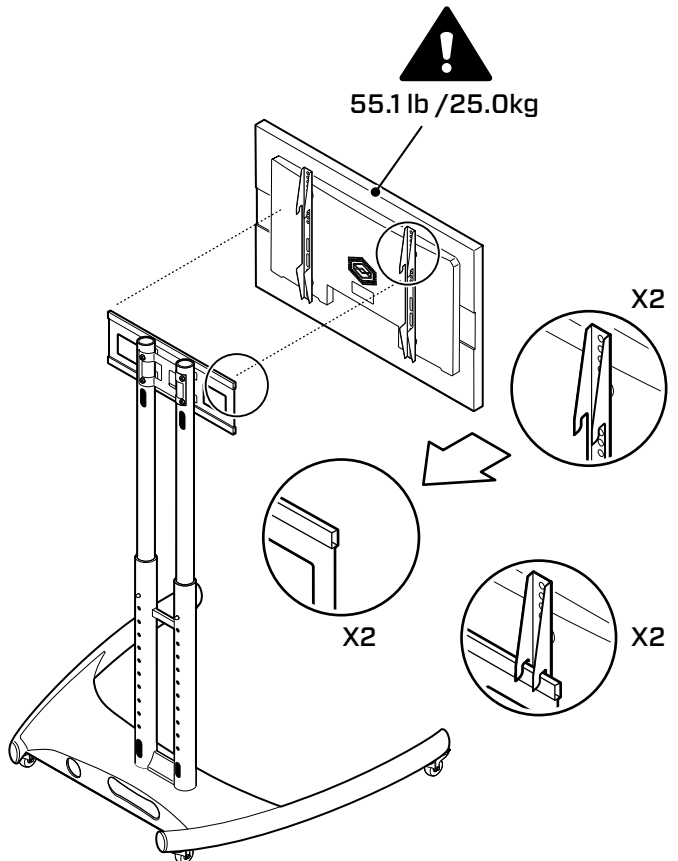


8. Attach the Looking Glass 8K display to the display bracket on the column.

- Using two (2) people lift the display and hang it on the display bracket.

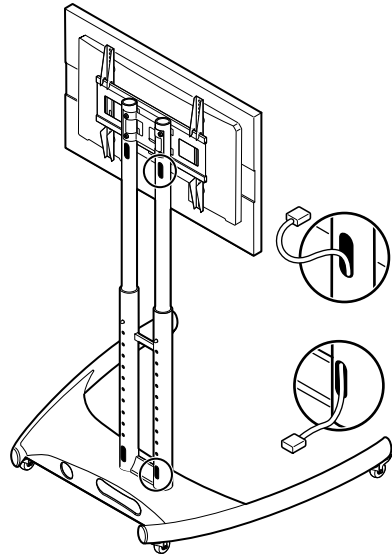
**WARNING!** The display is heavy 55.1 lb / 25.0kg and requires two (2) people to lift.

- Using a phillips screwdriver, the two (2) bracket clips, and the two (2) M5x12 pan head screws, secure the display to the display bracket.



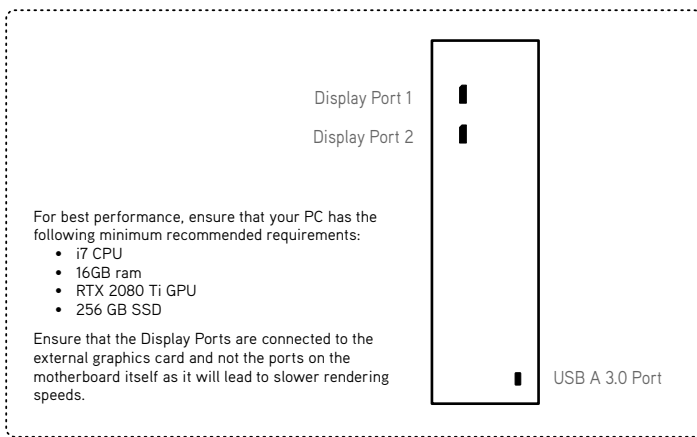
**9. Thread the four (4) Looking Glass 8K display cables through the double column**

- Thread down the left column - as seen from the rear:
  - Power cable
  - DP1 display cable
- Thread down the right column - as seen from the rear:
  - DP2 display cable
  - USB A 3.0 cable

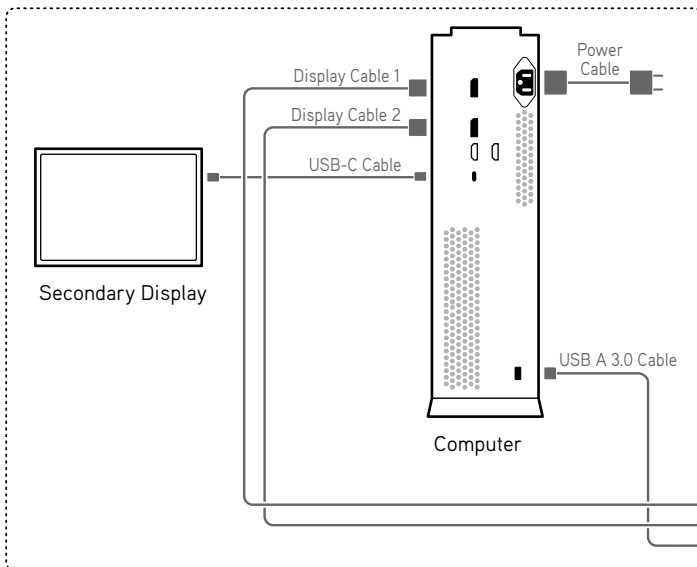
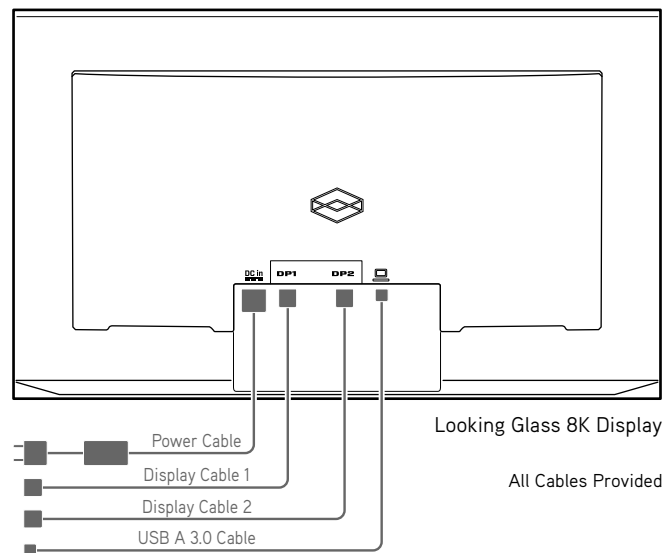


**10. Connect the cables to the computer**

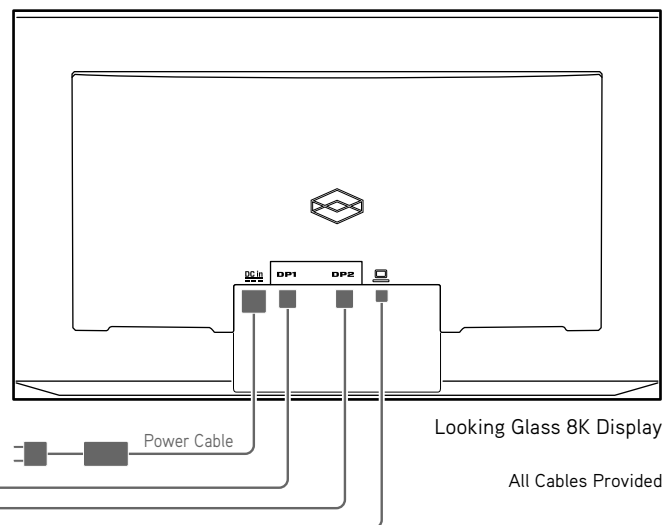
- Connect the cables from the Looking Glass 8K display to either:
  - Your computer
  - Optional Looking Glass 8K computer with secondary display.



Your Computer



Optional Computer w/ Secondary Display



This equipment is manufactured by Looking Glass Factory Inc. (US). Designed in Brooklyn and Hong Kong - Made in China. Looking Glass® is a registered trademark of Looking Glass Factory Inc.

Looking Glass Factory (US)  
190 West St, Brooklyn NY, 11222 USA  
www.lookingglassfactory.com